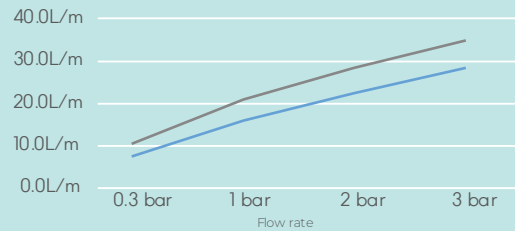


WATER FLOWRATE

— 1 way diverter
— 2 way diverter



AFTERCARE INSTRUCTIONS

These products have a high quality, durable finish which in order to preserve, should be treated with care.

Clean with warm soapy water and a soft damp cloth only.

Cleaning products, including non-scratch ones could damage the finish.

CUSTOMER SERVICE

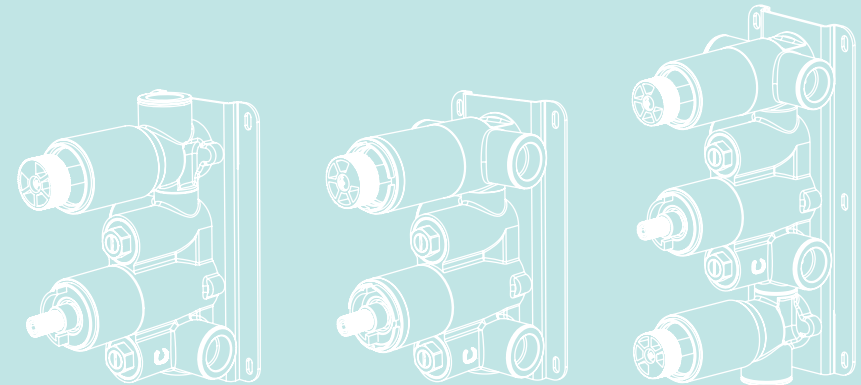
t: +44(0)208 686 5100
e: technical@saneux.com

Iain Stewart Centre, Beehive Ring Rd,
Crawley, Gatwick RH6 0PB

www.saneux.com

SHOWER

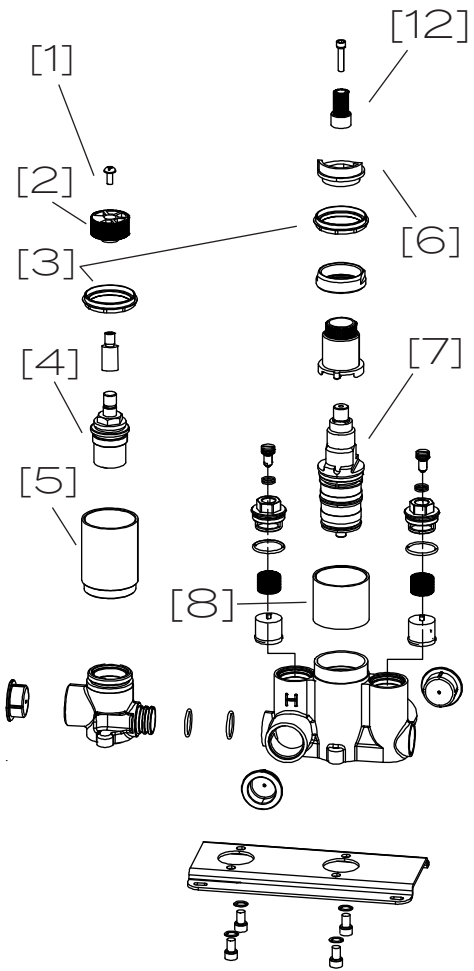
INSTALLATION INSTRUCTIONS



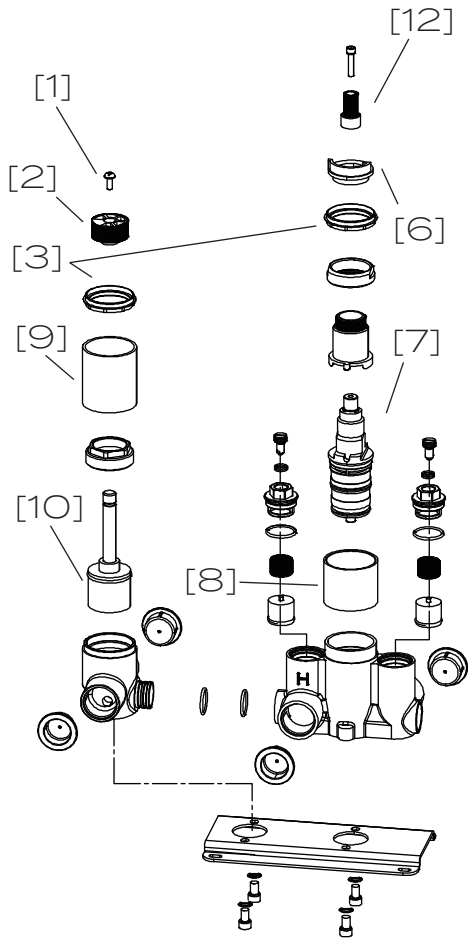
VBO19, VBO20, VBO21

saneux

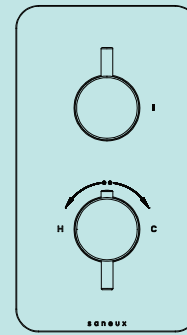
VBO19 EXPLODED COMPONENT ASSEMBLY



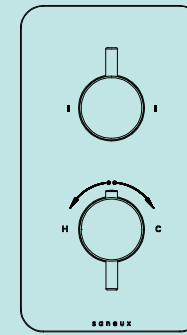
VBO20 EXPLODED COMPONENT ASSEMBLY



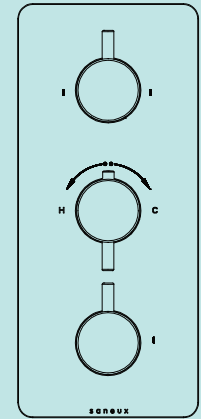
FINISH KIT POSITION - ROUND



KCO19

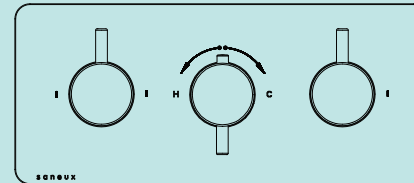


KCO20

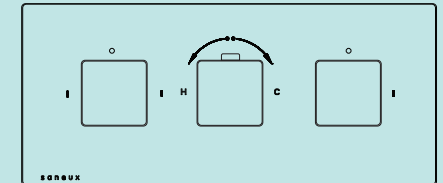


KCO21

FINISH KIT POSITION - LANDSCAPE



KCO21.L

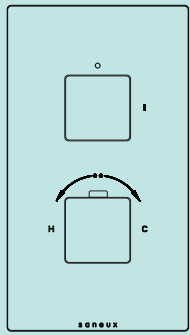


KTO21.L

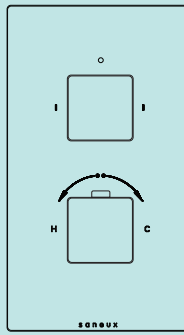
TECHNICAL INFORMATION

Maximum water pressure	- 5 bar
Minimum water pressure	- 0.3 bar
Recommended hot water temp.	- 42°C
Max hot water temp.	- 70°C

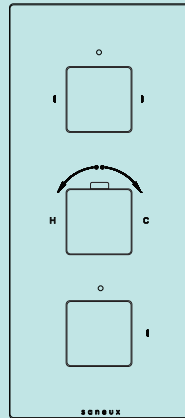
FINISH KIT POSITION - SQUARE



KTO19

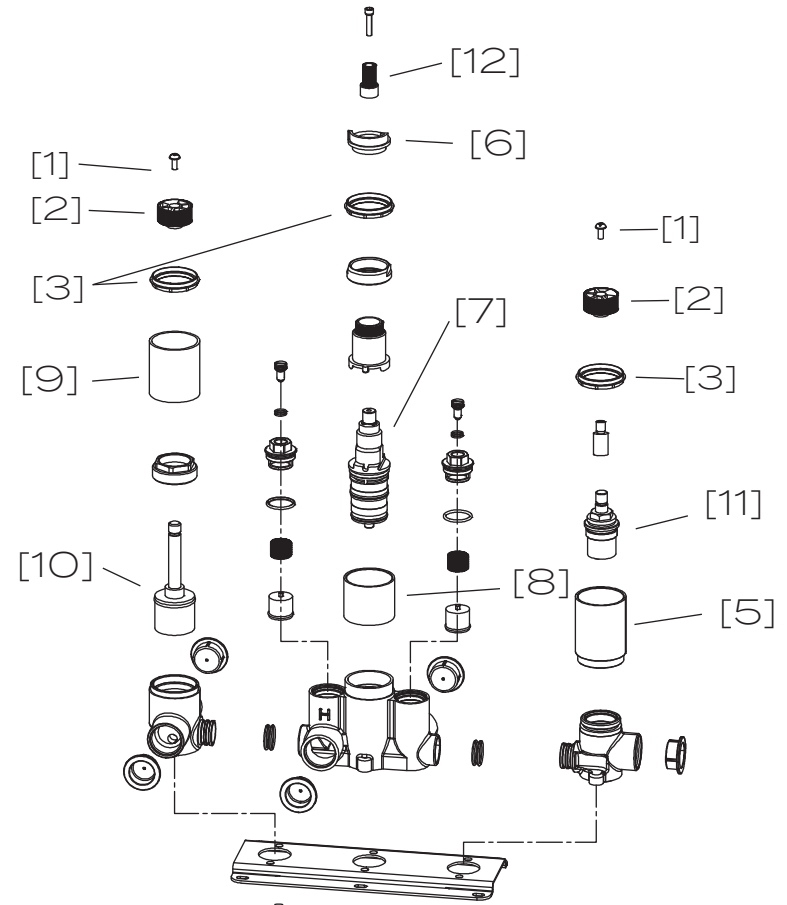


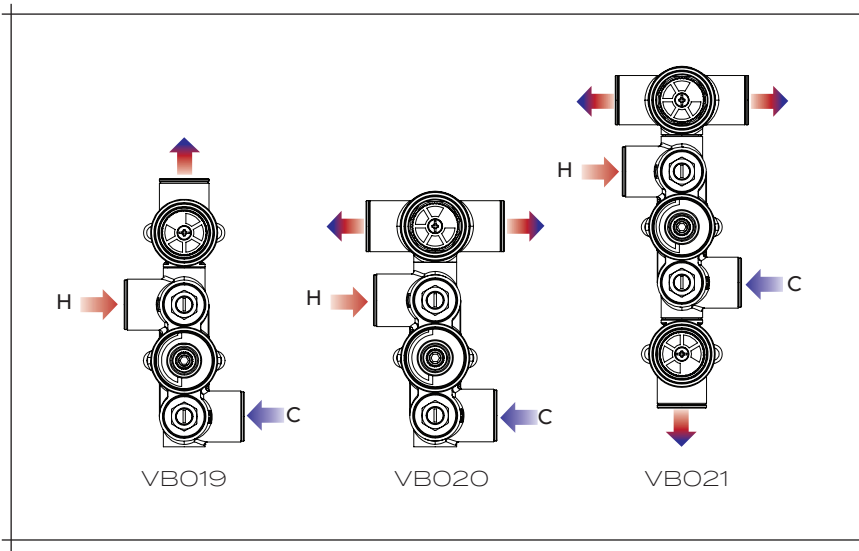
KTO20



KTO21

VBO21 EXPLODED COMPONENT ASSEMBLY





IMPORTANT:
When installing in Landscape, ensure the 2 way diverter is on the left side.

IMPORTANT:
Turn anti-clockwise when paired with landscape finish kit.

1. Mark the mounting position and prepare the wall for the shower valve body. Ensure the installation depth for the selected cover plate is correct.

2. Before installing the product, thoroughly flush the hot and cold pipes and the outlet pipes. Fix the hanging plate to the supporting framework in the wall recess using the screws provided. Keep the protective plastic caps on throughout installation. Ensure the valve body is straight using a spirit level.

3. Ensure the depth of the recess for the valve is within the tolerance of min 82mm max 105mm (Allow for tiles, adhesive, etc).

4. Once the valve is securely mounted to the wall, tighten the check valves to restrict the water flow. Make the plumbing connections and test for any leaks. Refer to the drawing above for the correct inlet/outlet connections.

5. Finish the wall surface.

6. With all walls and tiling completed, slide the cover plate over the spindles and fix all handles to the valve using the hex key and grub screws provided.

7. Secure the cover plate to the wall surface using a silicone sealant.

FAQ

1. Hot supply from the shower is inadequate just after installation.
2. Cold water running into hot water system through the valve.
3. Extremely low or no flow at all.
4. Water not hot enough after installation.
5. Safety stop button not operating.
6. Handle is hard to turn and or handle is dripping.
7. Temperature regulation not possible.

ANSWER

Maximum temperature may need to be adjusted. See "Temperature Setting".

Carry out a check valve cleaning. See "Check Valve Maintenance"

Carry out a check on the cold and hot supplies. (valve automatically shuts down when either of the suppliers fail).

Check the temperature of the hot and cold inlets entering the valve. Check for debris in the pipe work or valve inlet. Check the handle alignment with the thermostat.

Clean the spring and button on the handle, replace if necessary.

Clean cartridge, replace if necessary.

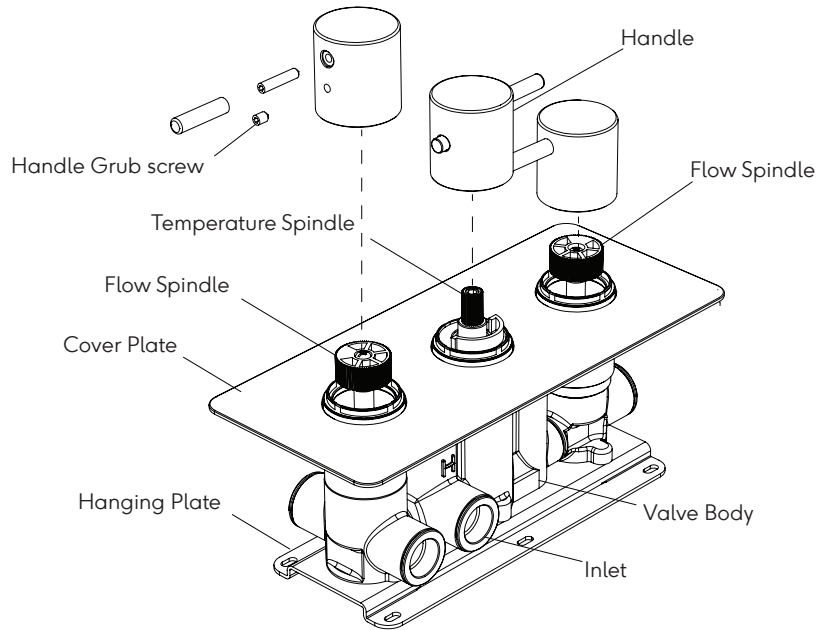
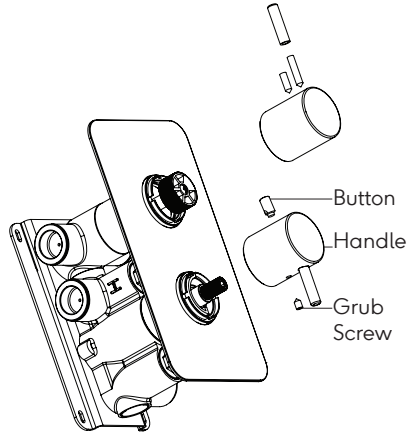
Check supply lines and re-install if necessary. Check thermostatic cartridge and replace if necessary.

INSTALLING THE HANDLES

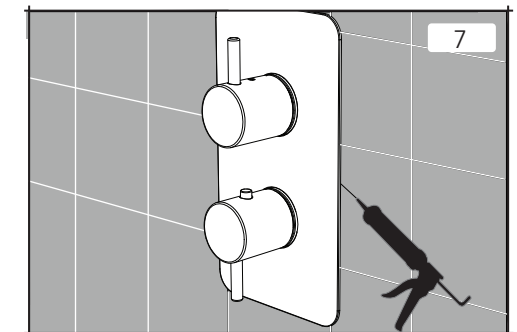
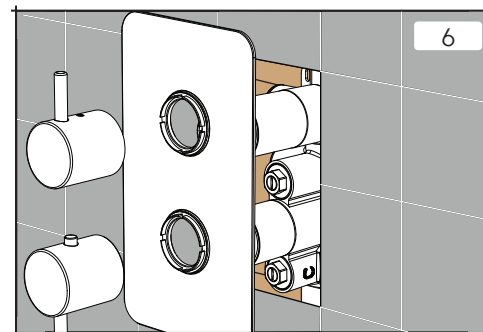
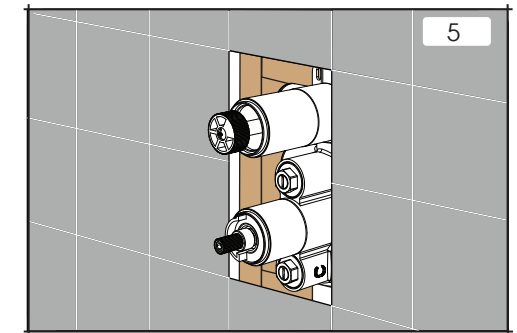
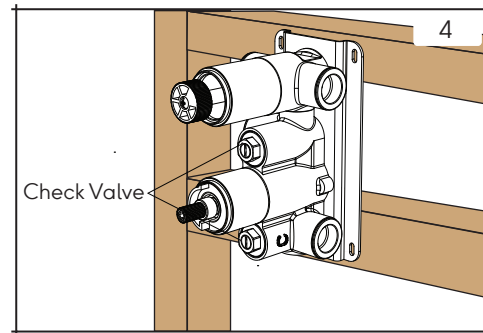
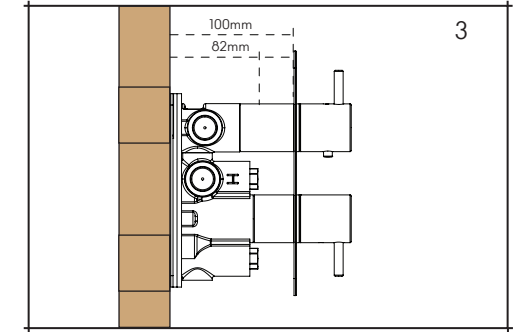
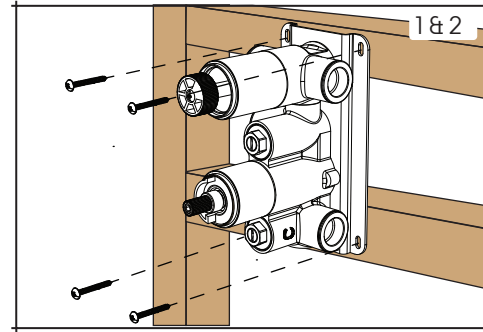
Handles should only be installed after the valve has been fully fitted to the wall.

Remove the plastic cover caps and slide the handle over the spindle. Ensure the handle with the button is paired with the thermostat. Align the handle so the button is at a 12 o'clock position.

Tighten the handle to the spindle using the allen key provided.



Drawing for illustrative purposes only

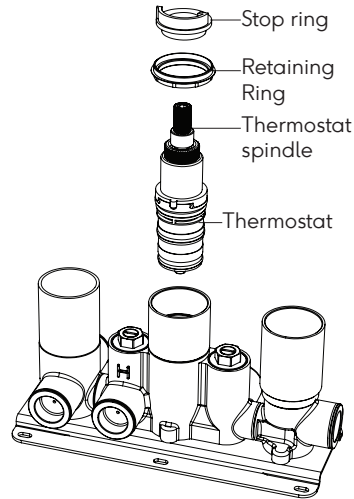


THERMOSTATIC VALVE MAINTENANCE

Isolate the water supply before maintenance.

With the orientation of the stop ring to the thermostat spindle noted, remove the stop ring. Unscrew the retaining ring from the valve.

Still keeping the orientation of all components in mind, remove the thermostatic cartridge and wash under clean running water. Ensure that the valve is free of debris and lightly apply silicon grease to the seals. Now appropriately remount all components ensuring a tight fit throughout.



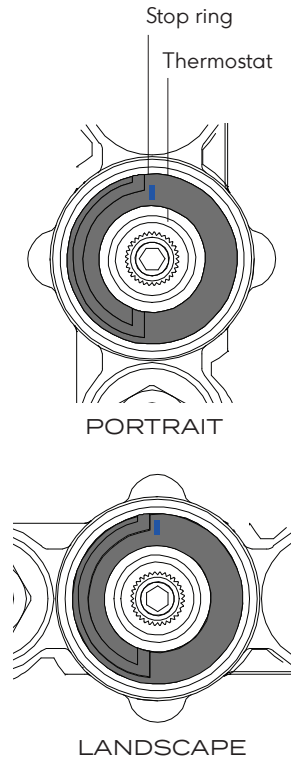
TEMPERATURE SETTING

Isolate the water supply before maintenance.

With the orientation of the stop ring to the thermostat spindle noted, check the temperature of the running water from the valve is correct (42°C is the suggested maximum pre-set temperature).

To set the temperature remove the handle, rotate the exposed spindle (clockwise for cold and anti-clockwise for hot) until a temperature of 38°C is reached. Then locate the stop ring so that when the handle is on, the button must be pressed to increase the temperature above 38°C.

To re-install the handle, push it onto the spindle and tighten so that the stop inside the handle makes contact with the right hand side of the fixed stop on the stop ring.

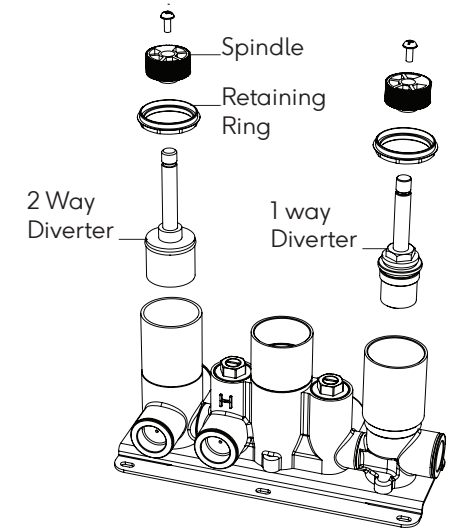


DIVERTER MAINTENANCE

Isolate the water supply before maintenance.

Unscrew the retaining ring from the valve and remove the diverter. Do not remove spindle unless necessary.

Replace the diverter if necessary. Ensure that the valve body is free of debris and lightly apply silicon grease to the seals.



CHECK VALVE MAINTENANCE

Isolate the water supply before maintenance.

The check valves are installed with a flow regulator that is factory set and does not usually need adjustment.

Clockwise = Closes water supply

Anti-Clockwise = Opens water supply.

To access the check valves, rotate the nut in an anti-clockwise direction until loose, then pull the check valve out of the brass valve body.

